

ID ANT.MUX

## HF 8 CHANNEL MULTIPLEXER

- Communication between reader and multiplexer via antenna cable
- Multiplexer outputs are controlled by the reader, a host or digital inputs
- Non-wearing electronic switching of the outputs
- Two independant reader input channels for variable antenna applications
- High switching rate (< 1 ms)
- Also available as 8 channel MUX Module or 4 channel MUX Module



### HF 8 channel Multiplexer

The 8 channel Multiplexer ID ANT.MUX-A facilitates switching between RFID antennas with an operating frequency of 13.56 MHz. With one Multiplexer several single antennas and gate solutions can be operated with only one reader. Any of the eight Multiplexers outputs can be assigned to both inputs by jumper adjustment. In addition it is possible to connect further Multiplexers with Multiplexers already in use to raise the number of possible antenna connections.

The Multiplexer is controlled either via a digital input or the antenna cable connected with the reader.

An additional connection to the Multiplexer is not necessary which guarantees an easy installation even several Multiplexers are in use. The advanced communication between the reader and the Multiplexer allows direct switching to any output.

In addition to the 8 channel multiplexer in the housing, an 8 channel multiplexer board is also available. In addition, a 4 channel multiplexer board is offered.

# HF 8 CHANNEL MULTIPLEXER

Enables the operation of up to 8 antennas with just one reader. The number of antennas can be increased further by cascading several multiplexers.

Technical data	ID ANT.MUX
<b>Dimensions (w x h x d)</b>	182 x 110 x 90 mm
<b>Weight</b>	approx. 550 g
<b>Housing</b>	Plastic ASA, with screwed plexiglas lid
<b>Protection class</b>	IP65
<b>Operating frequency</b>	13.56 MHz
<b>Grommet</b>	12x screwed cable gland M16 x 1.5
<b>Supply voltage</b>	12 – 24 V DC
<b>Power consumption</b>	max. 4.0 W
<b>Attenuation per channel</b>	max. 0.5 dB
<b>Max. perm. switching power</b>	8 W
<b>RF connections</b>	
2x input	SMA jack (50Ω)
8x output	SMA jack (50Ω)
<b>RF switch</b>	electronic switch; switching speed < 1 ms
<b>Triggering</b>	
Reader	via RF input 1
external pulse generator	digital input
<b>Digital inputs</b>	
1x optocoupler	max. 24 V DC / 20 mA
<b>Signal indicators</b>	1x LED per channel 3x LED (Run / HF / Communication)
<b>Temperature range</b>	
Operation	-25°C up to +65°C
Storage	-40°C up to +80°C

## Standard conformity

<b>EMC</b>	EN 61000-6-3, EN 61000-6-2
<b>Vibration</b>	EN 60068-2-6 10 Hz to 150 Hz: 0.075 mm / 1 g
<b>Shock</b>	EN 60068-2-27 Acceleration: 30 g

## Order descriptions

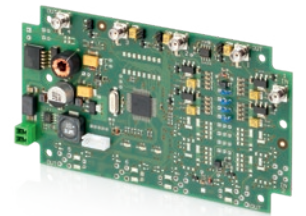
<b>ID ANT.MUX</b>	HF Multiplexer (8 channels)
<b>ID ANT.MUX.M8</b>	HF Multiplexer Module (8 channels)
<b>ID ANT.MUX.M4</b>	HF Multiplexer Module (4 channels)



ID ANT.MUX



ID ANT.MUX.M8

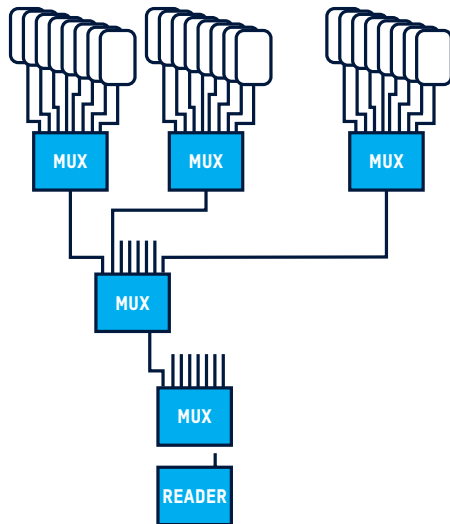


ID ANT.MUX.M4

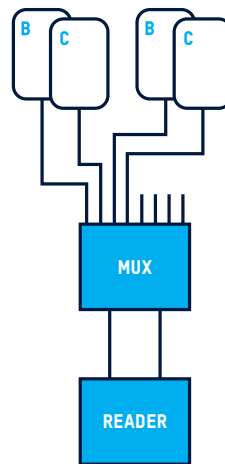
## HF 8 CHANNEL MULTIPLEXER

Enables the operation of up to 8 antennas with just one reader. The number of antennas can be increased further by cascading several multiplexers.

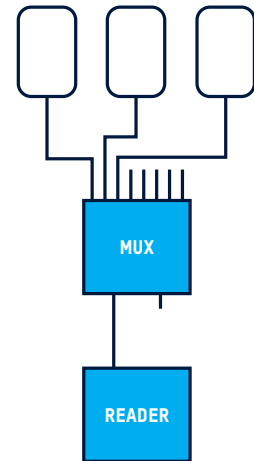
### Examples of use:



Several connected  
Multiplexers



Multiplexer  
with gate solution



Multiplexer  
with single antennas